

December 20, 2001

To: **Distribution**

Oregon Department of Transportation Disabled Parking Standards

The standards for disabled person parking places adopted by delegated authority from the Oregon Transportation Commission are enclosed for your use.

The drawings and text have been modified slightly from past mailings to reflect new legislation and the new edition of the Manual on Uniform Traffic Control Devices. The fine increase to \$450 is effective on January 1, 2002. The new Manual on Uniform Traffic Control Devices requires all striping in parking lots to be white in color except for the optional blue background and curb markings. Dimensions have been added to the drawings depicting vehicle areas. The "universal parking space" has been deleted from the standards. Wheel stops shown on the drawings are optional.

Signs mounted on structures will vary with location but must be visible to the person entering the parking stall. Post-mounted signs must be installed 7' from ground line to bottom of sign. This will tend to reduce vandalism and puts the sign up high enough that pedestrians will not hit their heads on the side of the sign. The height requirement complies with the Manual on Uniform Traffic Control Devices.

An updated list of sources where signs are commercially available is enclosed for your use. Also included is a list of striping companies that can stripe these types of parking places. A list of places where pavement stencils can be rented or purchased has been added.

One additional page showing allowable slopes has been added to this packet at the request of the State Building Codes Division.

If you need further assistance or have comments about this mailing, please feel free to write me at the address in the letterhead or you may phone me at (503) 986-3603.

Orville Gaylor
Sign Engineer

Enclosures

OG:dpy
Disabled parking places standards

OREGON TRANSPORTATION COMMISSION

Standards for Disabled Parking Places

In accordance with ORS 447.233, the Oregon Transportation Commission adopted standards for disabled person parking places, which took effect on January 22, 1992.

All new construction is required to meet new minimum standards. The standards are in compliance with 28 CFR Part 36 published by the Department of Justice in the Federal Register.

Different standards for signing and pavement markings have been adopted for public/private facilities and the state highway system.

The signing, pavement marking, and pavement striping standards are enclosed for your use and distribution. Please note that these are minimum standards. Pavement markings and stencil are required to be white. The use of blue curb and blue background on pavement stencils is optional. The symbol for the signs and pavement markings is the international symbol of access as shown in the revised Standard Highway Signs book published by the Federal Highway Administration. All signs are required to be retro-reflective. Install post-mounted signs with 7' (≠3") clearance to ground line. When signs are mounted on buildings or piers, the vertical clearance does not apply. The signs have to be readable by a person driving by the spaces even when the spaces are occupied.

Van-accessible spaces consist of a nine-foot parking space with an eight-foot aisle. Each van-accessible space shall have signs (OR20-6B) and (OR20-6D) mounted near the side of the parking space so that the sign can be seen even if the space is occupied. The sign should not be over two feet inside the outside stripe of the disabled space, other wise the sign may not be visible. The sign can be mounted on the left or right side of the space. Any vehicle with a DMV disabled permit can use van-accessible spaces.

Standard spaces consist of a nine-foot parking space with a six-foot wide aisle.

The number of spaces open to the public shall comply with the following:

<u>Total Parking in Lot</u>	<u>Required Minimum Number of Accessible Spaces</u>
1 to 25	1
26 to 50	2
51 to 75	3
76 to 100	4
101 to 150	5
151 to 200	6
201 to 300	7
301 to 400	8
401 to 500	9
501 to 1000	2% of total
1001 and over	20 plus 1 for each 100 Over 1000

Except as provided in (b), access aisles adjacent to accessible spaces shall be six-foot wide minimum.

(b) One every eight accessible spaces, but not less than one, shall be served by an access aisle eight-foot wide minimum and shall be designated "van accessible."

Outpatient units and facilities: 10% of the total number of parking spaces provided serving each such outpatient unit or facility.

Units and facilities that specialize in treatment or services for persons with mobility impairments: 20% of the total number of parking spaces provided serving each such unit or facility.

For further information and requirements on disabled person facilities check the State Building Codes (Chapter 11).

You may want to especially check on the requirements for:

- 1/ Grade
- 2/ Ramp location
- 3/ Aisle location
- 4/ Space location
- 5/ Aisle width (through traffic lane)

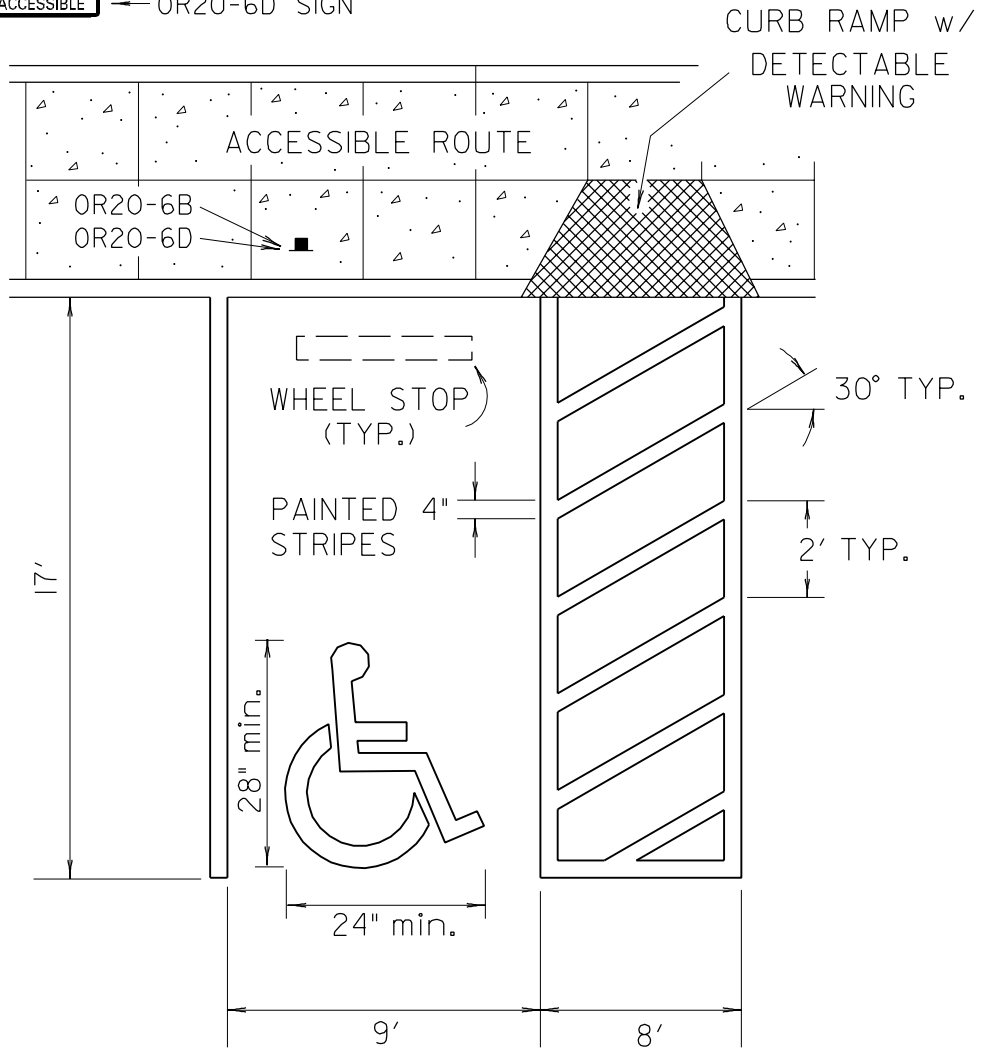
OG/plg

MINIMUM STANDARD SINGLE-DISABLED PERSON PARKING SPACE



← OR20-6B SIGN

← OR20-6D SIGN



SIGNSTDPG.FL8

WHITE STRIPING AND PAVEMENT STENCIL REQUIRED
STROKE WIDTH ON SYMBOL IS 3" MINIMUM
BLUE BACKGROUND AND BLUE PAINTED CURB OPTIONAL

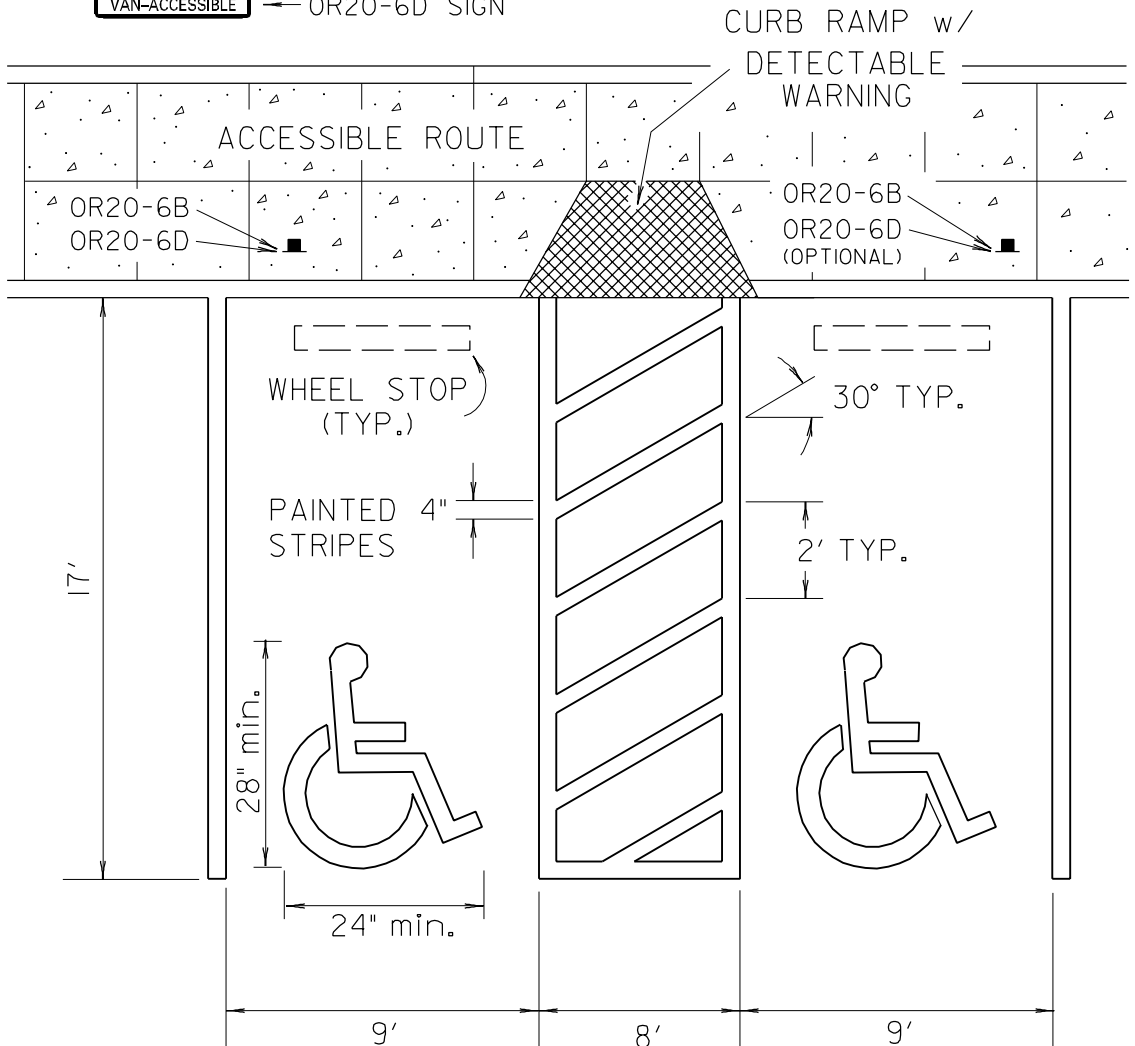
MINIMUM STANDARD DOUBLE-DISABLED PERSON PARKING SPACE



← OR20-6B SIGN

VAN-ACCESSIBLE

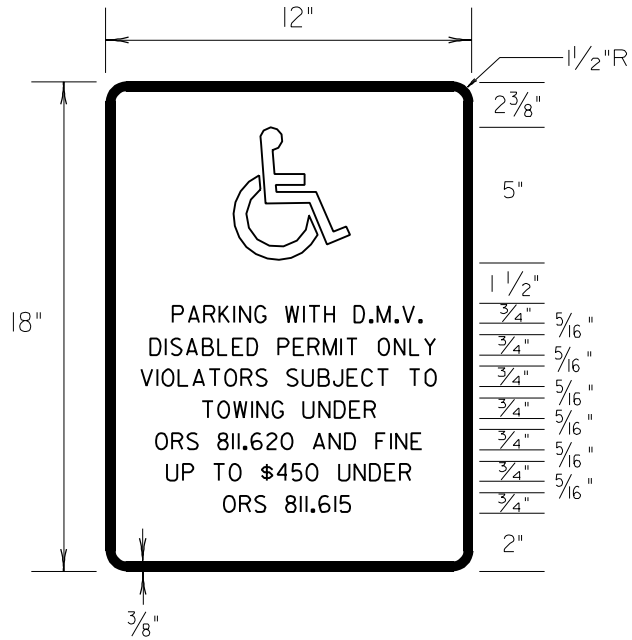
← OR20-6D SIGN



SIGNSTDPG.FL8

WHITE STRIPING AND PAVEMENT STENCIL REQUIRED
STROKE WIDTH ON SYMBOL IS 3" MINIMUM
BLUE BACKGROUND AND BLUE PAINTED CURB OPTIONAL

Sign No. OR20-6B



Sign Background: Blue, Retroreflective sheeting

Sign Legend: White, Retroreflective

The Disabled Person parking sign is used to designate a parking space for vehicles with a DMV permit as stated. This is the standard sign for use off the State Highway System.

SIGNSTD.P.F.11

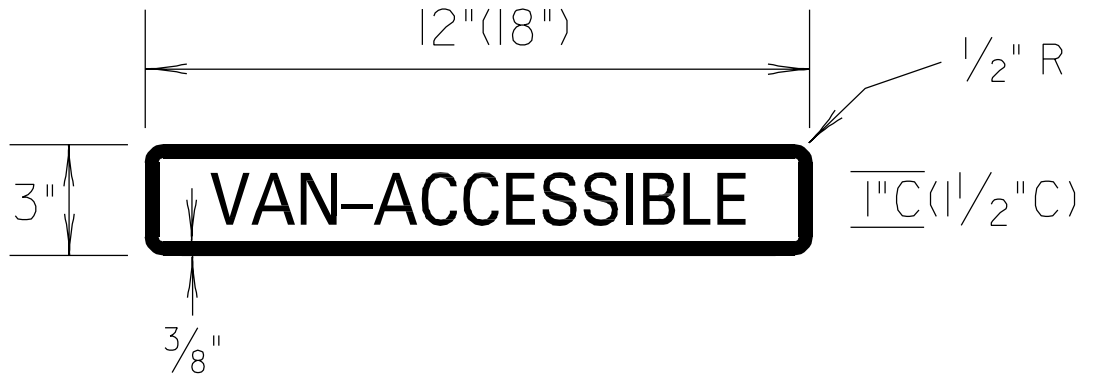
OREGON DEPARTMENT OF TRANSPORTATION

Approved By: O.T.C.

Date: 1/92

Publication Date: 12/01

Sign No. OR20-6D



Sign Background: Blue, Retroreflective sheeting

Sign Legend: White, Retroreflective

The VAN-ACCESSIBLE sign shall only be used with sign OR20-6B to designate these parking spaces that have an 8-foot aisle.

SIGNSTDPG.F.11

OREGON DEPARTMENT OF TRANSPORTATION

Approved By: O.T.C.

Date: 1/92

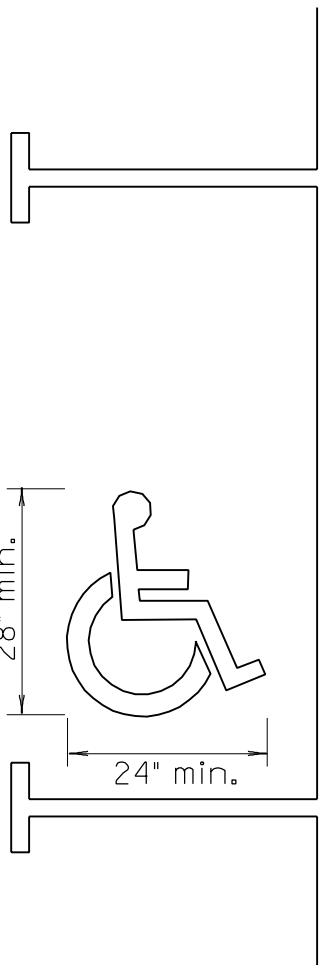
Publication Date: 12/01

MINIMUM STANDARD PARALLEL-DISABLED PERSON PARKING SPACE

(NOT TO BE USED FOR NEW CONSTRUCTION)



OR20-6C SIGN



OR20-6C
OR
OR20-6B



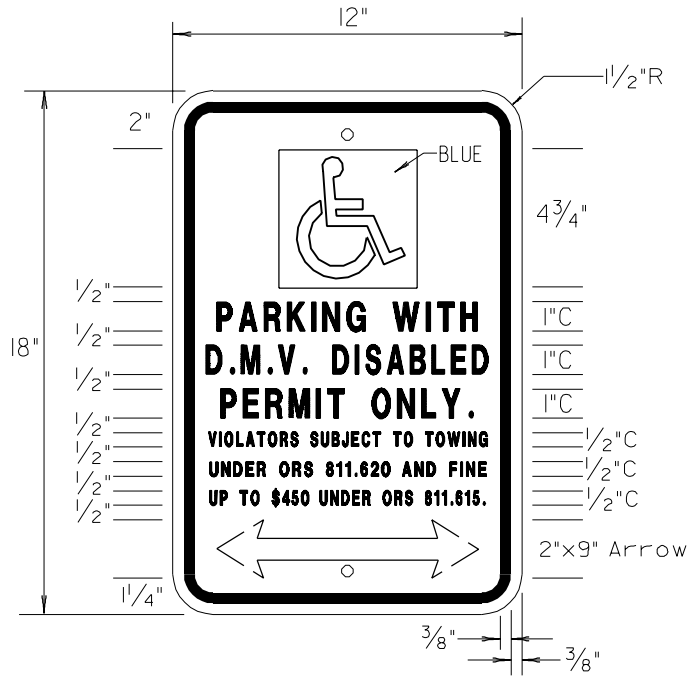
SIGNSTDPG.FL8

WHITE STRIPING AND PAVEMENT STENCIL REQUIRED

STROKE WIDTH ON SYMBOL IS 3" MINIMUM

BLUE BACKGROUND AND BLUE PAINTED CURB OPTIONAL

Sign No. OR20-6C



Sign Background: White, Retroreflective sheeting

Sign Legend: Green (Blue background w/white symbol) retroreflective

SIGNSTDP.F.11

The Disabled Person parking sign with arrow is to be used to designate a parking space for vehicles with a DMV permit as stated. This is the standard sign to use for parallel parking spaces.

OREGON DEPARTMENT OF TRANSPORTATION

Approved By: O.T.C.

Date: 1/92

Publication Date: 12/01

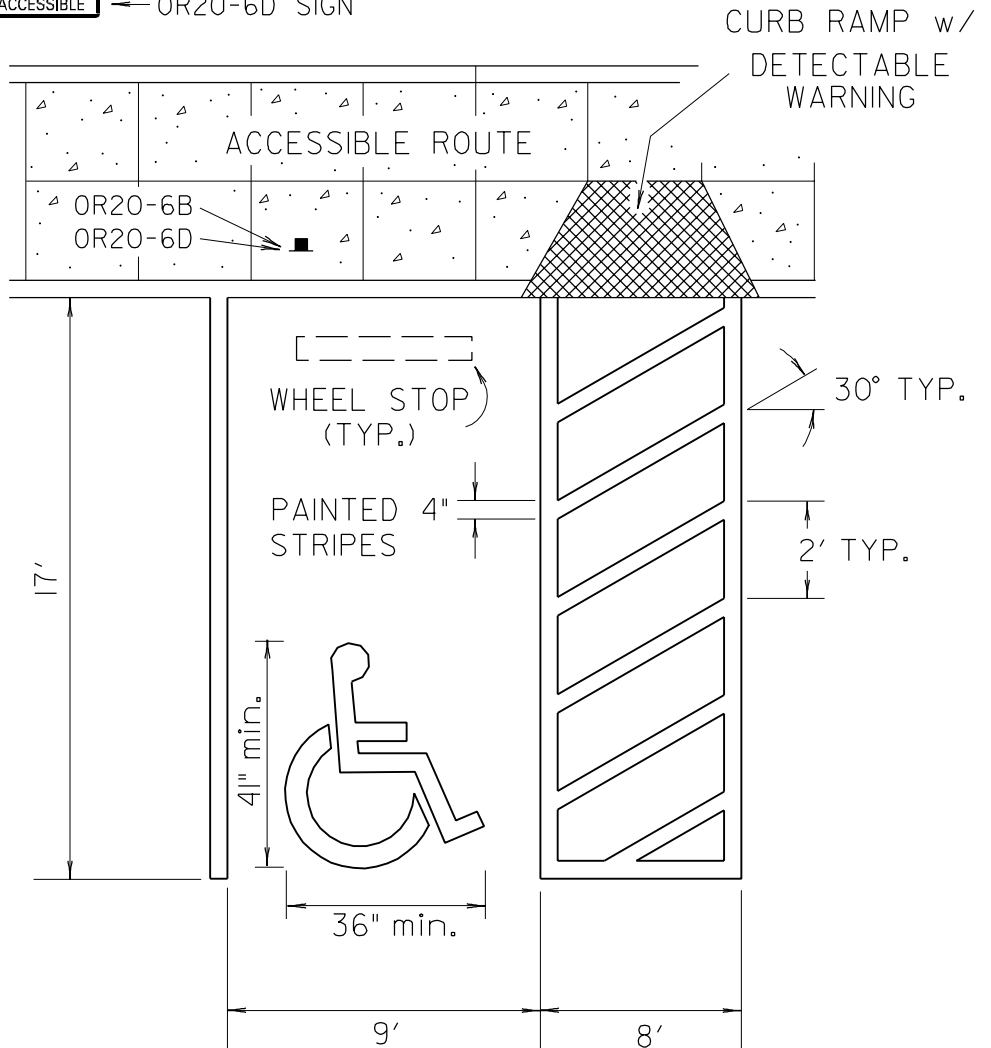
MINIMUM STANDARD FOR STATE HIGHWAY SYSTEM SINGLE-DISABLED PERSON PARKING SPACE



← OR20-6B SIGN



← OR20-6D SIGN



WHITE STRIPING AND PAVEMENT STENCIL REQUIRED

STROKE WIDTH ON SYMBOL IS 4" MINIMUM

BLUE BACKGROUND AND BLUE PAINTED CURB OPTIONAL

SIGNSTDPG.FL8

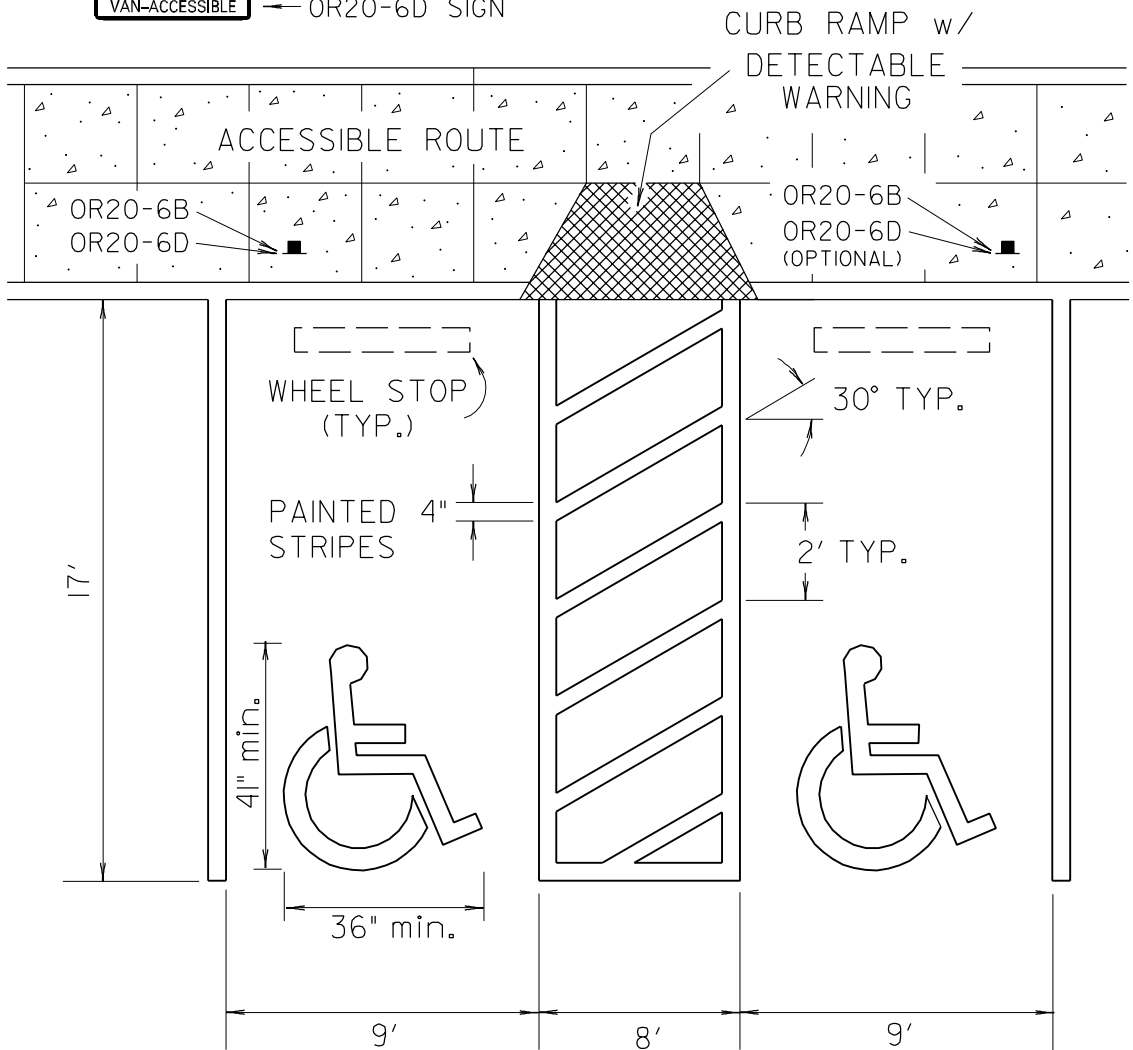
MINIMUM STANDARD FOR STATE HIGHWAY SYSTEM DOUBLE-DISABLED PERSON PARKING SPACE



← OR20-6B SIGN



← OR20-6D SIGN



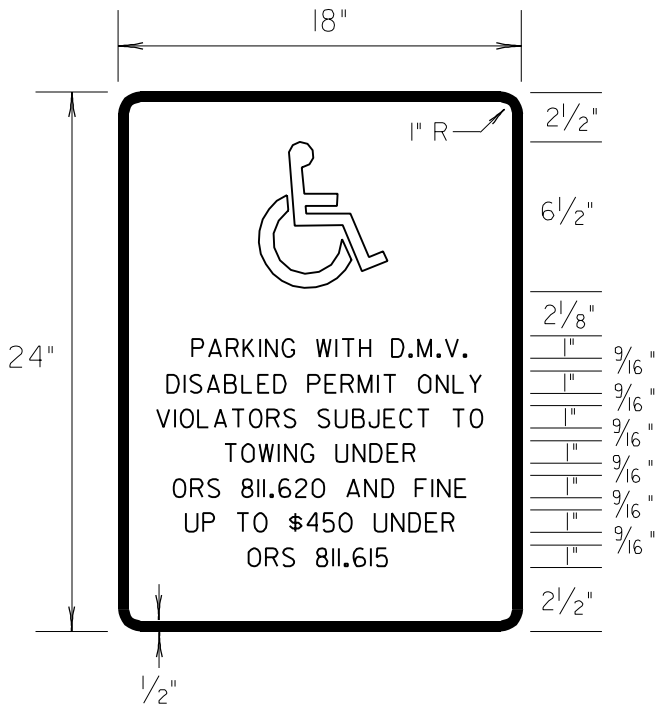
SIGNSTDPG.FL8

WHITE STRIPING AND PAVEMENT STENCIL REQUIRED

STROKE WIDTH ON SYMBOL IS 4" MINIMUM

BLUE BACKGROUND AND BLUE PAINTED CURB OPTIONAL

Sign No. OR20-6B



Sign Background: Blue, Retroreflective sheeting

Sign Legend: White, Retroreflective

The Disabled Person parking sign is used to designate a parking area reserved for vehicles with DMV permit as stated. This is the standard sign for use on the State Highway System.

SIGNSTDP.F.11

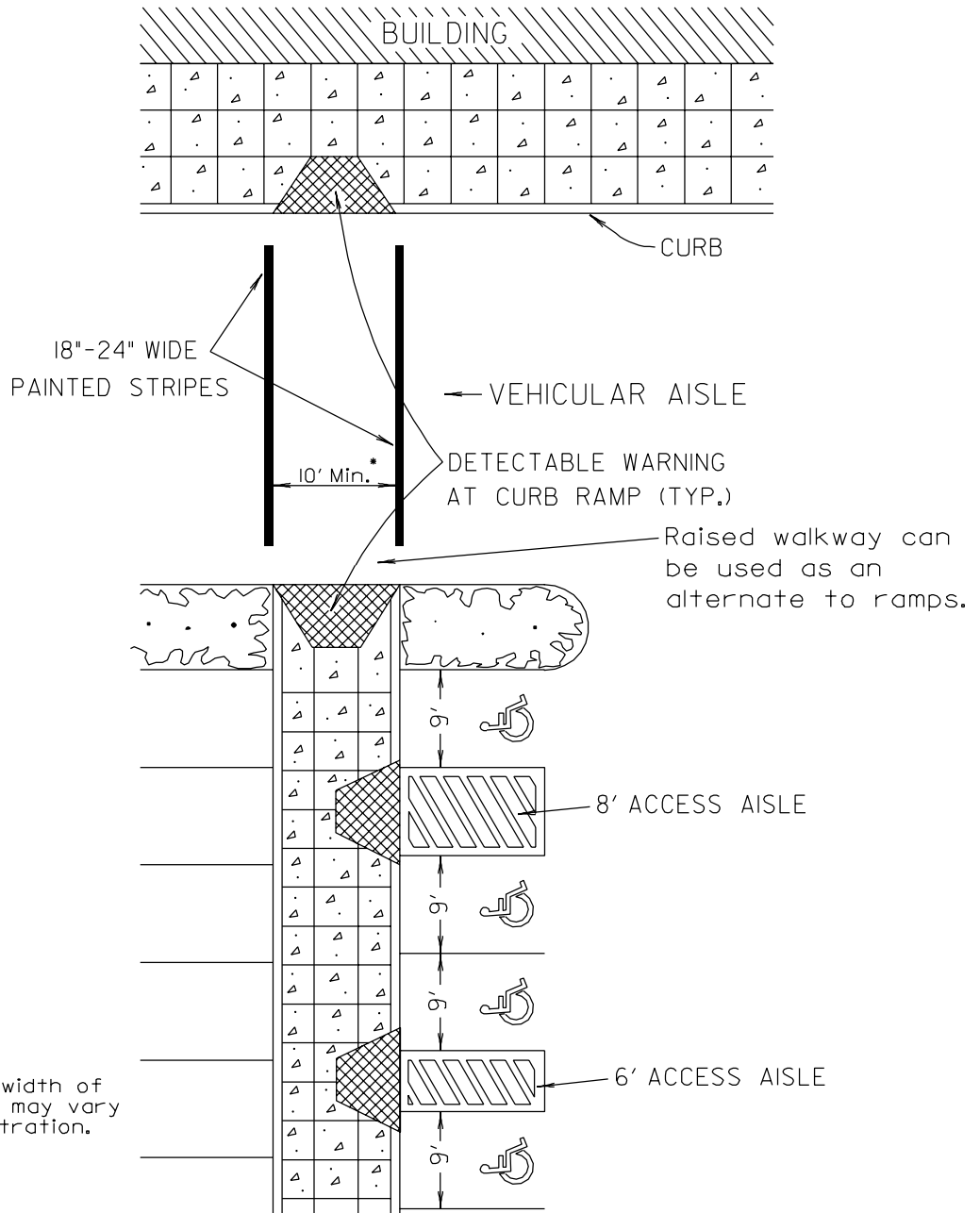
OREGON DEPARTMENT OF TRANSPORTATION

Approved By: O.T.C.

Date: 1/90

Publication Date: 12/01

MARKED CROSSING AT VEHICULAR AREAS IN PARKING LOTS

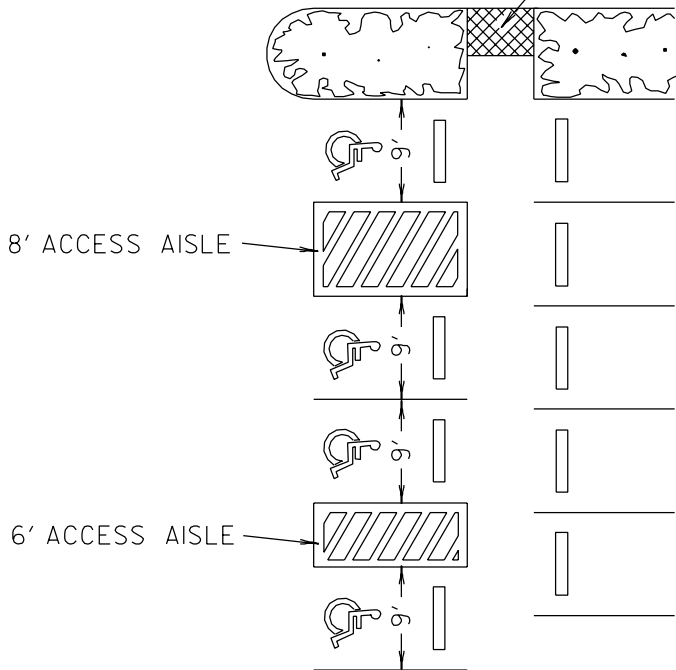
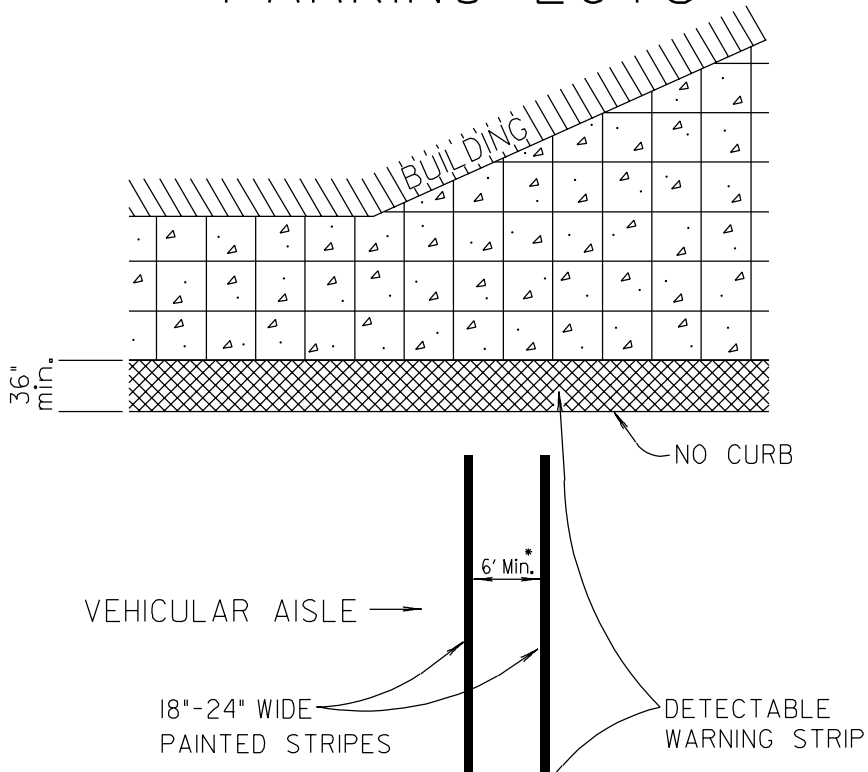


SIGNSTDPG.FL8

ACCESSIBLE PARKING PLAN (1)

Striping and pavement stencil required
(White preferred)

MARKED CROSSING AT VEHICULAR AREAS IN PARKING LOTS

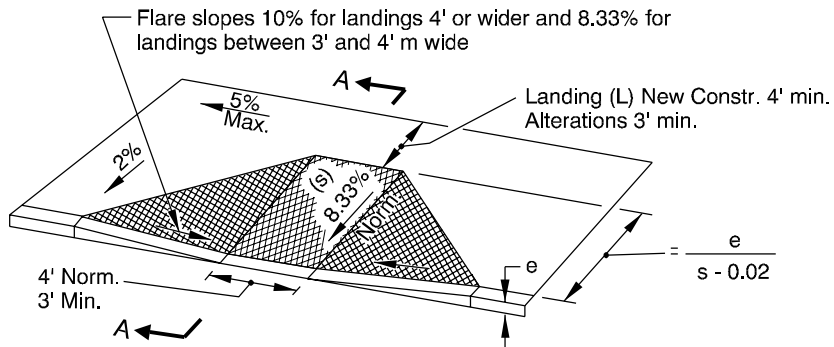


* Type and width of crosswalk may vary from illustration.

ACCESSIBLE PARKING PLAN (2)

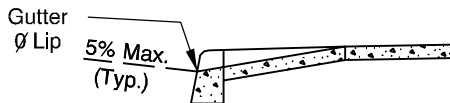
Striping and pavement stencil required
(White preferred)

THIS SHEET INCLUDED AT REQUEST OF STATE BUILDING CODES DIVISION

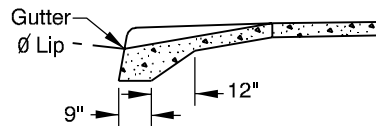


PERPENDICULAR SIDEWALK RAMP DETAIL

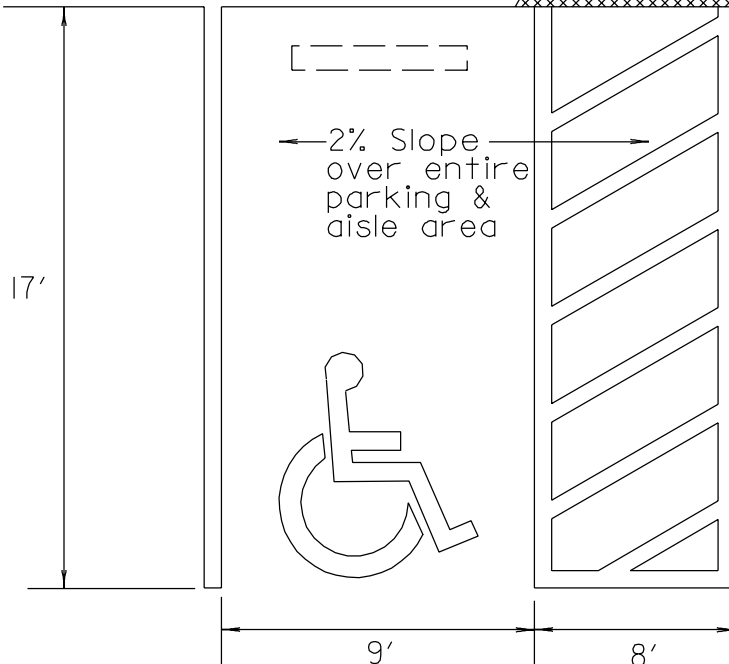
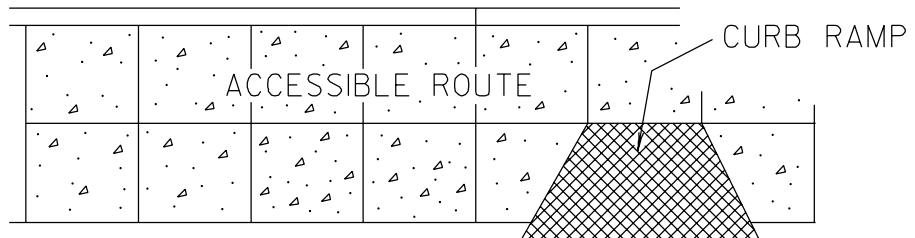
(Use "Parallel or Combined Ramp Detail" when reqd. landing cannot be obtained)



SECTION A-A



SECTION A-A WITH MONOLITHIC CURB & SIDEWALK



Vertical clearance not less than 98" over entire parking & aisle area.

SIGN SUPPLIERS LIST W/PHONES

CONTACT NAME	ORGANIZATION	ADDRESS	CITY	STATE	ZIP	PHONE	FAX/Toll Free
CONNIE	ALLSTATE SIGN	70 BURT DR	DEER PARK	NY	11729	(631) 242-2828	F(631) 242-2433
	AMERICAN BARRICADE CO	60 GRIMES STREET	EUGENE	OR	97402	(541) 343-0143	
	AMERICAN BARRICADE CO	173 NE COLUMBIA BLVD	PORTLAND	OR	97211	(503)285-6616	
	AMERICAN BARRICADE CO	2910 PRINGLE RD SE	SALEM	OR	97302	(503) 378-0020	
	ART & DESIGN	907 NW SYCAMORE SUI	CORVALLIS	OR	97330	(541) 753-5779	
KENT	COOPER	BUDGET INSTANT SIGNS	PORTLAND	OR	97216	(503) 257-7229	(503) 257-3941
RICK	WILLIAMS	CANTEL INCORPORATED	PORTLAND	OR	97202	(503) 222-7490	(503) 234-2455
		CANTEL OF MEDFORD	MEDFORD	OR	97504	(541) 773-2765	
KEVIN	WELLS	CARLTON SIGN COMPANY	BEND	OR	97709	(541) 382-2182	
		PO BOX 524					
		PO BOX 2188	ELMIRA	NY	14903	(607) 734-2205	(800) 872-7446
FLOYD	SKLAVER	FAST SIGNS	TIGARD	OR	97223	(503) 244-8813	F(503) 244-7753
SARA	CAMPBELL	FAST SIGNS	BEAVERTON	OR	97005	(503) 526-0216	
		FORESS SIGN CO	ALBANY	OR	97321	(541) 928-5858	F(541) 928-9068
		30255 HIGHWAY 34					
		1212 HYLO RD SE	SALEM	OR	97306	(503) 581-0581	
		PO BOX 515	BLOOMINGTON	IN	47402	(800) 284-7446	
KRISTI	FEARRIEN	HIGH DESERT SIGN CO	REDMOND	OR	97756	(541) 923-5860	
RHONDA	FERGUSON	LYLE SIGNS	JAMESTOWN	ND	58401	(877) 895-8816	F(701) 252-9472
MARY	DUGAN	MARTIN BROTHERS SIGNS	SALEM	OR	97302	(503) 3642211	
KRISTIE	FIELDS	NEWMAN SIGNS INC	JAMESTOWN	ND	58402	(800) 437-9770	(701) 252-9213
		PO BOX 1728					
		OREGON PARALYZED VETERANS OF	MILWAUKIE	OR	97267	(503) 652-0241	
		1201 W 11TH	EUGENE	OR	97402	(541) 342-8105	
		1845 ANUNSON ST	SALEM	OR	97303	(503) 364-5641	

SIGN SUPPLIERS LIST W/PHONES

<i>CONTACT NAME</i>	<i>ORGANIZATION</i>	<i>ADDRESS</i>	<i>CITY</i>	<i>STATE</i>	<i>ZIP</i>	<i>PHONE</i>	<i>FAX/Toll Free</i>
MARK	DESOMMER	PACIFIC SAFETY SUPPLY 16798 SW 72ND AVENUE	PORTLAND	OR	97224	(503) 639-6756	F(503) 624-1829
		20779 SW 84TH AVE	TUALATIN	OR	97062	(503) 612-9788	
		24718 HIDDEN VALLEY R	PHILOMATH	OR	97370	(541) 929-7486	
		1380 SW 3RD ST	CORVALLIS	OR	97333	(541) 757-0707	F(541) 754-9843
BILL	KLAR	RAMSEY SIGNS 9160 SE 74TH AVE	PORTLAND	OR	97206	(503) 777-4555	F(503) 777-0220
		SANDERSON SAFETY SUPPLY 1101 SE 3RD AVENUE	PORTLAND	OR	97214	(503) 238-5700	
		SIGN PRO 1048 SE BASELINE	HILLSBORO	OR	97123	(503) 693-7300	
		SIGNS AND STRIPES 122 NE BROADWAY	PORTLAND	OR	97232	(503) 284-6737	
		SPEEDI SIGN 51 SILVER LANE	EUGENE	OR	97404	(541) 461-7276	
		TRAFFIC SAFETY SUPPLY 2324 SE UMATILLA ST	PORTLAND	OR	97202	(503) 235-8531	F(503) 235-5112
		TRIPLE J & S SIGNS INC 86501 LORANE HIGHWA	EUGENE	OR	97405	(541) 343-7049	
		VIEWPOINT SIGN CO 4920 SW 3RD	CORVALLIS	OR	97333	(541) 754-6126	
TERRY	HANSON	VULCAN SIGNS PO BOX 1850	FOLEY	AK	36536	(800) 633-6845	
		ZAP MANUFACTURING PO BOX 189	GRASS VALLEY	CA	95945	(800) 824-5927	
		ZUMAR INDUSTRIES INC 12015 STEELE ST S	TACOMA	WA	98444	(800) 426-7967	F(206) 474-8216

STRIPING CO LIST W/PHONES

CONTACT NAME	ORGANIZATION	ADDRESS	CITY	STATE	ZIP	PHONE	FAX
CLARK MERWIN		PO BOX 56	COLUMBIA CITY	OR	97018	(503) 397-6988	
RON	ABOVE AVERAGE STRIPING CO.	PO BOX 633	DALLAS	OR	97338	(503) 623-3544	
	ACCURATE STRIPING	PO BOX 2617	BATTLEGRND	WA	98604	(503) 646-4499	(360) 687-9469
JOHN MILDENBER	ALL-N-ONE ASPHALT MAINTENANCE	504 MAPLEWOOD DR	ST HELENS	OR	97051	(503) 515-3386	(503) 397-4257
	AMERICAN STRIPE RITE	3127 SE 182ND AVE	GRESHAM	OR	97030	(503) 665-2524	
	APPLY A LINE	5940 SE 111TH AVE	PORTLAND	OR	97266	(503) 762-2070	
	ARROW STRIPING	2260 SE 110TH	PORTLAND	OR	97216	(503) 254-7895	
	ARROW STRIPING	2646 LONE PINE RD	MEDFORD	OR	97504	(541) 779-7789	
	C & R STRIPING CO	PO BOX 154	GLIDE	OR	97443	(541) 673-5007	
	CANTEL SWEEPING & STRIPING	16110 SE 106TH	CLACKAMAS	OR	97015	(503) 656-1940	
	COAST SERVICES	10505 SW TIGARD ST	TIGARD	OR	97223	(503) 227-4515	
	DRAKES STRIPING SVS	529 CC ST	WOODLAND	WA	98674	(360) 225-8751	
	E-Z STRIPING	805 WEST A ST	CRESWELL	OR	97426	(541) 895-2184	
	FLETT BROS PAINTING	5397 SE RAINBOW DR	MILWAUKIE	OR	97222	(503) 654-5786	
	FUTURE LINE STRIPING	24510 S CASS RD	CANBY	OR	97013	(503) 631-7329	
	HARVEYS PARKING LOT SVS	6370 NORTH B ST	SPRINGFIELD	OR	97478	(541) 741-2542	
	HICKS STRIPING	PO BOX 12187	SALEM	OR	97309	(503) 364-4577	
	JO-SAN SPECIALTY PAINTING	PO BOX 390	TURNER	OR	97392	(503) 463-4684	(503) 390-8796
	KUSTOM CURB & STRIPING INC	PO BOX 4737	VANCOUVER	WA	98682	(360) 944-9488	
	L & L PRECISION STRIPING	19550 S GREEN MTN RD	COLTON	OR	97017	(503) 824-4068	
	NORTHWEST SURFACE CON	38201 HAROLD DR	DEXTER	OR	97431	(541) 937-2366	
	NW INDUSTRIAL SWEEPING SVS	PO BOX 5418	SALEM	OR	97304	(503) 363-7674	

STRIPING CO LIST W/PHONES

CONTACT NAME	ORGANIZATION	ADDRESS	CITY	STATE	ZIP	PHONE	FAX
	OREGON SAFETY & MAINT	1201 WEST 11TH	EUGENE	OR	97402	(503) 342-8105	
	OREGON STRIPING SERVICE	2013 SMITH OAK ST	EUGENE	OR	97408	(541) 689-4108	
	PACIFIC COAST PAINT	304 SE 28TH AVE	PORTLAND	OR	97214	(503) 232-8535	
	PAVEMENT PROTECTORS	PO BOX 7197	BEND	OR	97708	(541) 389-6444	
	PRO-LINE CURBS & STRIPING	PO BOX 837	AUMSVILLE	OR	97325	(503) 362-6630	
	QUALITY COAT	PO BOX 1574	BEND	OR	97709	(541) 389-6577	
	QUALITY LINE STRIPING	9109SW BOONESFRY R	PORTLAND	OR	97219	(503) 246-3438	
ART	QUALITY SWEEPING		PORTLAND			(503) 281-9254	
	R & S STRIPING	PO BOX 227	HILLSBORO	OR	97123	(503) 640-8238	
	RIVER CITY PAVING	PO BOX 20028	KEIZER	OR	97307	(503) 393-4535	
	SIGNS & STRIPES	122 NE BROADWAY	PORTLAND	OR	97232	(503) 284-6737	
	STAR STRIPING	1010 SE 139TH	PORTLAND	OR	97233	(503) 252-0448	
	STEPHENSON STRIPING SVS	212 SE FOURTH	PRINEVILLE	OR	97754	(541) 447-5722	
	STRIGHT LINE STRIPING	1280 70TH AVE SE	SALEM	OR	97301	(503) 364-0652	
	STRIPE-RITE COMPANY	3827 E MAIN ST	HILLSBORO	OR	97123	(503) 648-7875	
	V & J PAINT STRIPING	1239 SW OREGON AVE	DALLAS	OR	97338	(503) 623-0562	
	WARE-EVER STRIPING	7495 SW CHERRY DR	TIGARD	OR	97223	(503) 620-2225	
	WEST COAST STRIPING	2080 PRAIRIE RD	EUGENE	OR	97402	(503) 746-9435	
	WESTERN ASPHALT MAINT	PO BOX 337	THURSTON	OR	97482	(541) 726-0828	

PAVEMENT STENCIL SOURCES W/PHONES

ORGANIZATION	ADDRESS	CITY	STATE	ZIP	PHONE	FAX	Website
BARCO PRODUCTS	11 N BATAVIA AVENUE	BATAVIA	IL	60510	(800) 338-2697	(630) 879-8687	www.barcoproducts.com
CHAMPION AMERICA INC.	1333 HIGHLAND ROAD E	MACABONIA	OH	44056	(800) 521-7000	(800) 336-3707	www.champion-america.com
FORESS SIGN CO	30255 HIGHWAY 34	ALBANY	OR	97321	(541) 928-5858	(541) 928-9068	
FTI/SEA CONSULTING	7349 WORTHINGTON-GA	COLUMBUS	OH	43085	(800) 782-6851	(614) 885-8014	
HALL SIGNS INC.	PO BOX 515	BLOOMINGTON	IN	47402	(800) 284-7446	(812) 332-9816	
LAB SAFETY SUPPLY	PO BOX 1368	JANESVILLE	WI	53547	(800) 356-0783	(800) 543-9910	www.Labsafety.com
SUPER PRECISION DATA	3 SPIELMAN ROAD	FAIRFIELD	NJ	07004	(800) 377-4160	(201) 227-5223	
VULCAN SIGNS	PO BOX 850	FOLEY	AL	36536	(800) 633-6845	(205) 943-1544	
ZUMAR INDUSTRIES	PO BOX 44549	TACOMA	WA	98444	(800) 426-7967	(253) 536-8680	www.zumar.com